



WL 3000



Everyone is health conscious these days. So, you want your staff, customers and visitors to have access to high quality drinking water – but you don't want any hassle. We can offer a refreshingly simple answer: **The Waterlogic 3000.**

The Waterlogic 3000 water dispenser, delivers an instant and constant supply of the highest quality drinking water. It also comes in a choice of water variants and can provide chilled, sparkling and instant hot water through the same dispenser. This enables hot drinks to be made without wasting time waiting for kettles to boil.

Because the Waterlogic 3000, unlike bottled water coolers, is supplied through the mains, it does away with the problems of storage, lifting heavy water bottles, degradation and sanitisation, not to mention running out.

Instead, you get features such as ergonomic design that compliments every environment, advanced filtration and ultraviolet technology to guarantee water of real purity: fresh and free from harmful bacteria. With cost savings in terms of supplies and precious time over bottled water coolers, Waterlogic makes everyone's life easier.

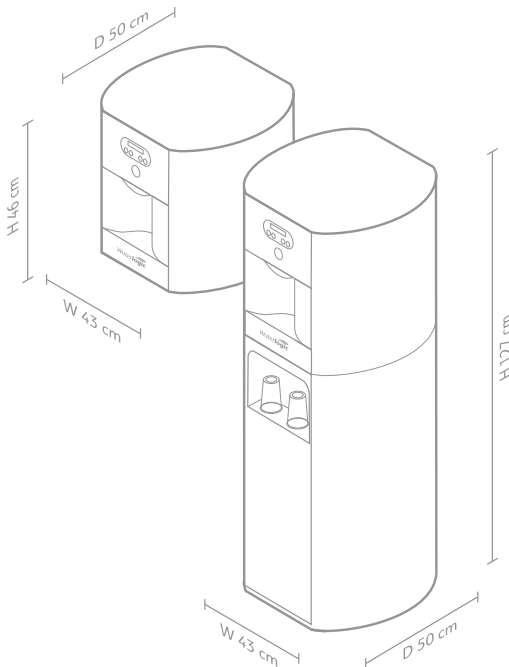
Features: WL 3000

- 3 stage purification process including ultraviolet technology (guarantees water within EU guidelines)
- Constant supply of chilled filtered water
- Constant supply of sparkling water preset to 5°C: sparkling models
- Instant hot water adjustable up to 95°C with safety features: hot and cold models
- Extra hot facility to boost temperature: hot and cold models
- Large drip tray with overflow cut out mechanism and drainage option
- Automatic purification monitoring system
- Liquid crystal display confirming water options and temperature
- Twin cold tanks dispensing up to 22.2 Litres per hour: cold only model, Max option
- Integral twin cup stack unit holding 100 cups per unit: freestanding models
- Environmentally friendly with sleep mode to conserve electricity and ecological cooling gas (R134a)

Tel: 02920 809090
email: productinfo@phs.co.uk



WL 3000



Options: WL 3000

The Waterlogic 3000 is available in the following:

Colour: Silver/charcoal grey

Water: Hot, cold and sparkling: Hot and cold: Cold and sparkling: Cold only

Size: Freestanding or table top

Max option: Available on cold only machines for high volume throughput

CO2 supply: CO² regulator gas and initial bottle supplied: sparkling models

Machine weight

Freestanding units

WL 3000 hot, cold and sparkling:	49kg
WL 3000 hot and cold:	45kg
WL 3000 cold and sparkling:	47kg
WL 3000 cold only:	43kg
WL 3000 cold only Max tank:	47kg

Table top units

WL 3000 hot, cold and sparkling:	33kg
WL 3000 hot and cold:	29kg
WL 3000 cold and sparkling:	31kg
WL 3000 cold only:	27kg
WL 3000 cold only Max tank:	31kg

Installation requirements

To ensure that the Waterlogic machine can be installed quickly and smoothly in your proposed location, each machine will require a 13 amp (240 AC) switched socket which should not be more than one metre from the machine.

Each plumbed water machine needs to be supplied with water from a rising main. The pipe work should ideally be no more than one metre from the machine, although our in-house service team are able to install machines in the majority of locations. Pipe work must be terminated with a 15mm BS1010 stopcock.

Technical Information

